



5 Year
StarService
Integrated service. Unlimited mileage.

2 Year
StarTire

Specifications and color shown may differ from the actual product in Indonesian market

The V-Class.

V 250 Avantgadre Line.

Effective from April 2022

www.mercedes-benz.co.id

Mercedes-Benz





Exterior (Front)



Wheel Rims



Exterior (Back)



Specifications and color shown may differ from the actual product in Indonesian market

Exterior.

The V 250 Avantgarde Line

Mercedes-Benz lettering at entrance, illuminated

Panoramic sliding sunroof*

AVANTGARDE Exterior Sports package

EASY-PACK tailgate

AMG spoiler lip on boot lid

Separately opening rear window

19-inch 5-twin spoke alloy wheels, painted in black with a high-sheen front

*Only in long wheelbase version

www.mercedes-benz.co.id



Specifications and color shown may differ from the actual product in Indonesian market

The V-Class. Make your move.

Wherever you're planning to go, the new V-Class is ready. There is ample space for whatever you need to take with you, plus plenty of great ideas to help simplify your journey. The new, separately opening rear window is just one of these. Thanks to its space-saving opening system, loading and unloading really is child's play. Opening and closing the optional electrically operated EASY-PACK tailgate couldn't be easier either – simply press the button. What's more, with its multiple and varied seating configurations and adjustment options, the new V-Class is more than versatile enough to keep up with the needs of your children.

www.mercedes-benz.co.id



Specifications and color shown may differ from the actual product in Indonesian market

Interior.

The V 250 Avantgarde Line

Nappa leather upholstery

Leather steering wheel

Center console with refrigerator

Electrically adjustable passenger captain seats with massage function, usb connection, & cup holders

Foot rest on passenger seat row

THERMOTRONIC automatic climate control

12 V outlets for rear seat row

2 detachable cup holders in rear armrest



Leather steering wheel & Trim*



MBUX multimedia system (10.25")*



Center console with refrigerator

Specification.

The V 250 Avantgarde Line

Driving Assistance and Safety Systems

Windowbags for driver, co-driver and rear compartment passenger*

Active Parking Assist

Blind Spot Assist

Crosswind Assist ▶

Rain sensor

ATTENTION ASSIST ▶

Headlight assistant

LED Intelligent light system

Lane Keeping Assist

360° Camera

Cruise Control

Hill-start assist

Engineering

9G-TRONIC Automatic Transmission

AGILITY CONTROL suspension

ECO starts/stop function

Infotainment Systems

Burmester® surround sound system

MBUX multimedia system (10.25")

▶ Click the blue font for more information

*Only in long wheelbase version

www.mercedes-benz.co.id



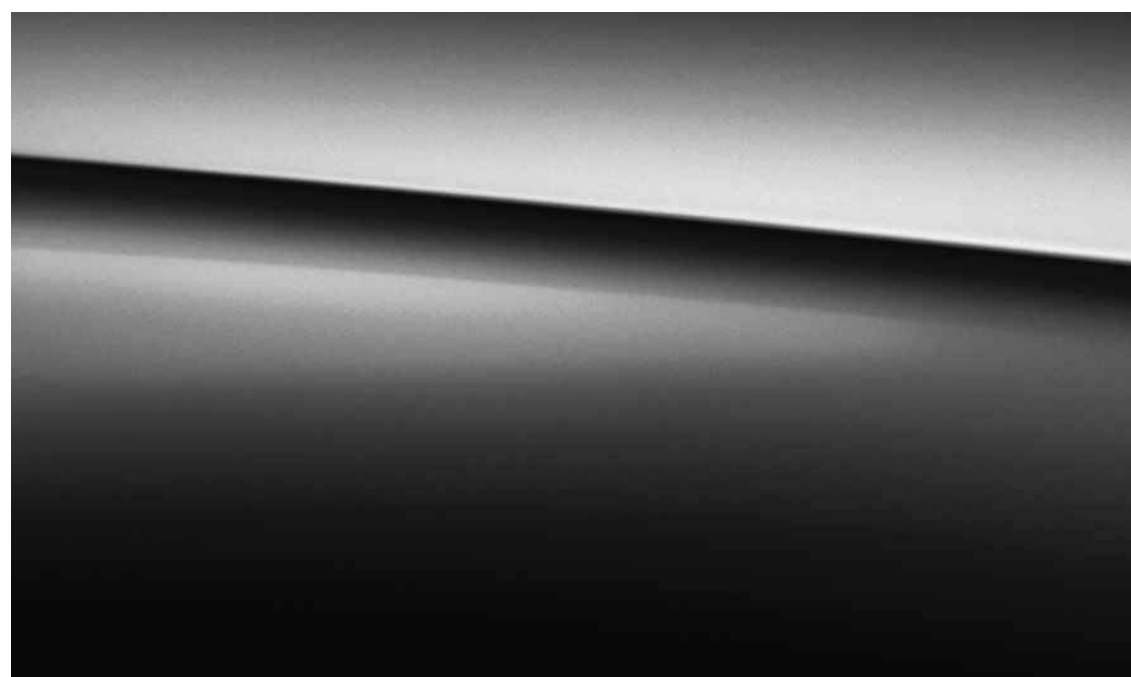
As large as life.

Relax, recover, feel good: the luxury seat pampers your rear passengers with exceptional comfort. Thanks to individually adjustable massage, seat climate control and reclining functions, as well as ambient lighting and integrated stowage compartments and drinks holders, there is virtually nothing left to be desired with regard to comfort.

Paints and Upholstery.

The V 250 Avantgarde Line

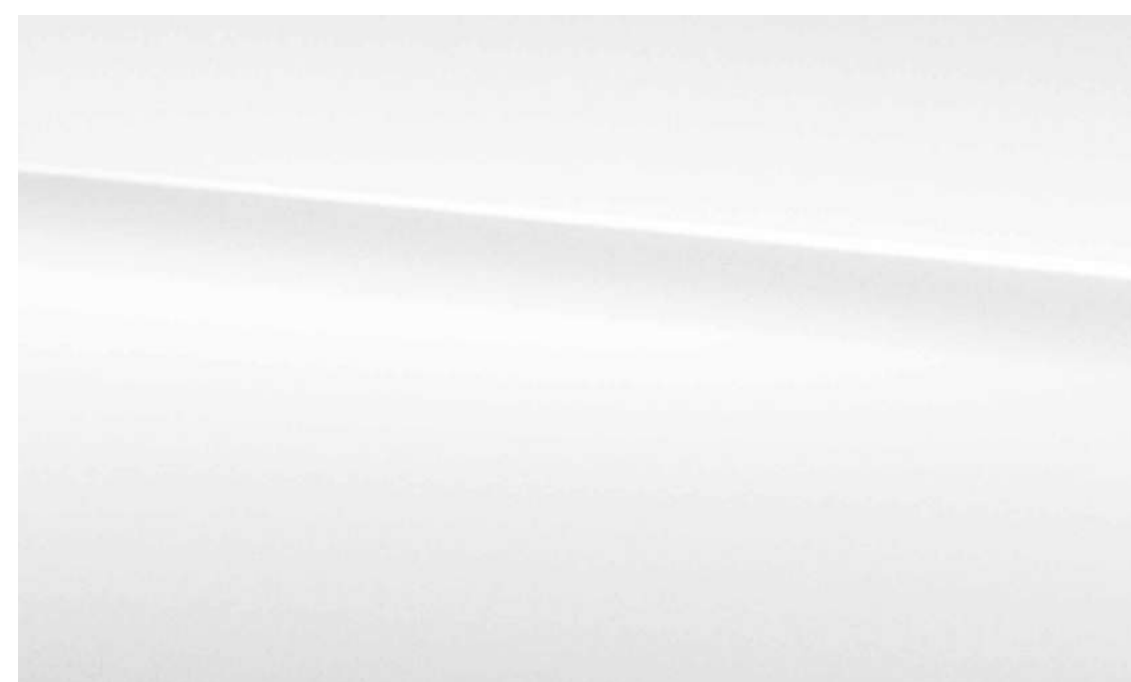
Paints



Obsidian Black Metallic

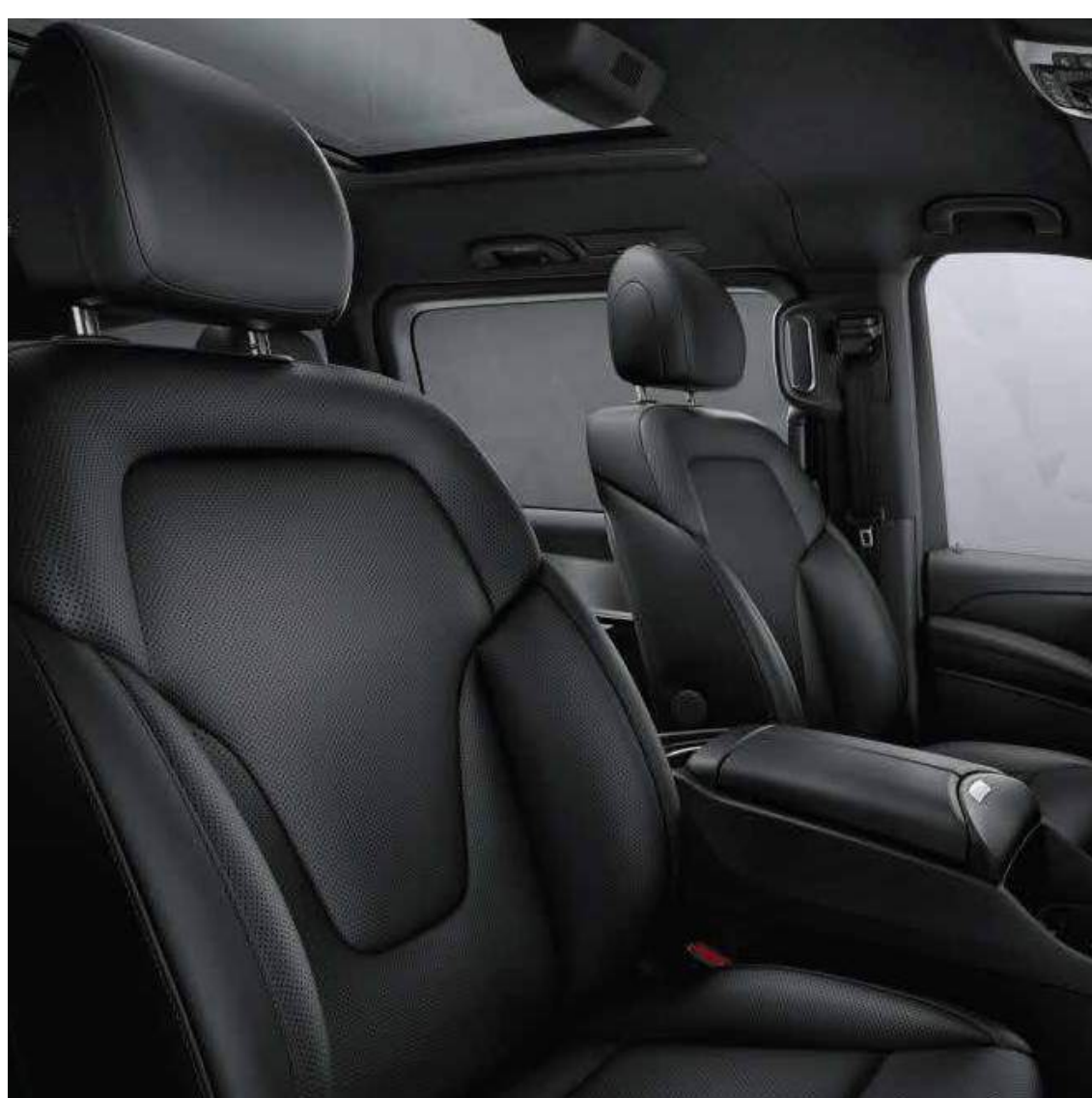


Dark Graphite Grey Metallic



Rock Crystal White Metallic

Upholstery



Nappa leather black



Nappa leather silk beige

Technical Data.

Engine and Transmission

The V 250 Avantgarde Line

No. of cylinder / arrangement	4 / In-line
Total displacement (cc)	1,991
Rated output (kW[hp] at rpm)	155 [211] / 5,500
Rated torque (Nm at rpm)	350 / 1,800 - 4,000
Transmission	9G-TRONIC Automatic Transmission

Performance and Fuel Consumption

Top speed approx. (km/h)	210
Fuel consumption, combined (l/100km)	9.4
CO ₂ emission (g/km)	220
Fuel	Petrol
Emission Standard	Euro 5b+

Dimension and Weight

Length (mm)	5,140* 5,370**
Total Width (mm)	1,928
Height (mm)	1,890
Kerb weight/payload (kg)	2,395/705* 2,428/672**
Tank capacity (l)	70 (l)

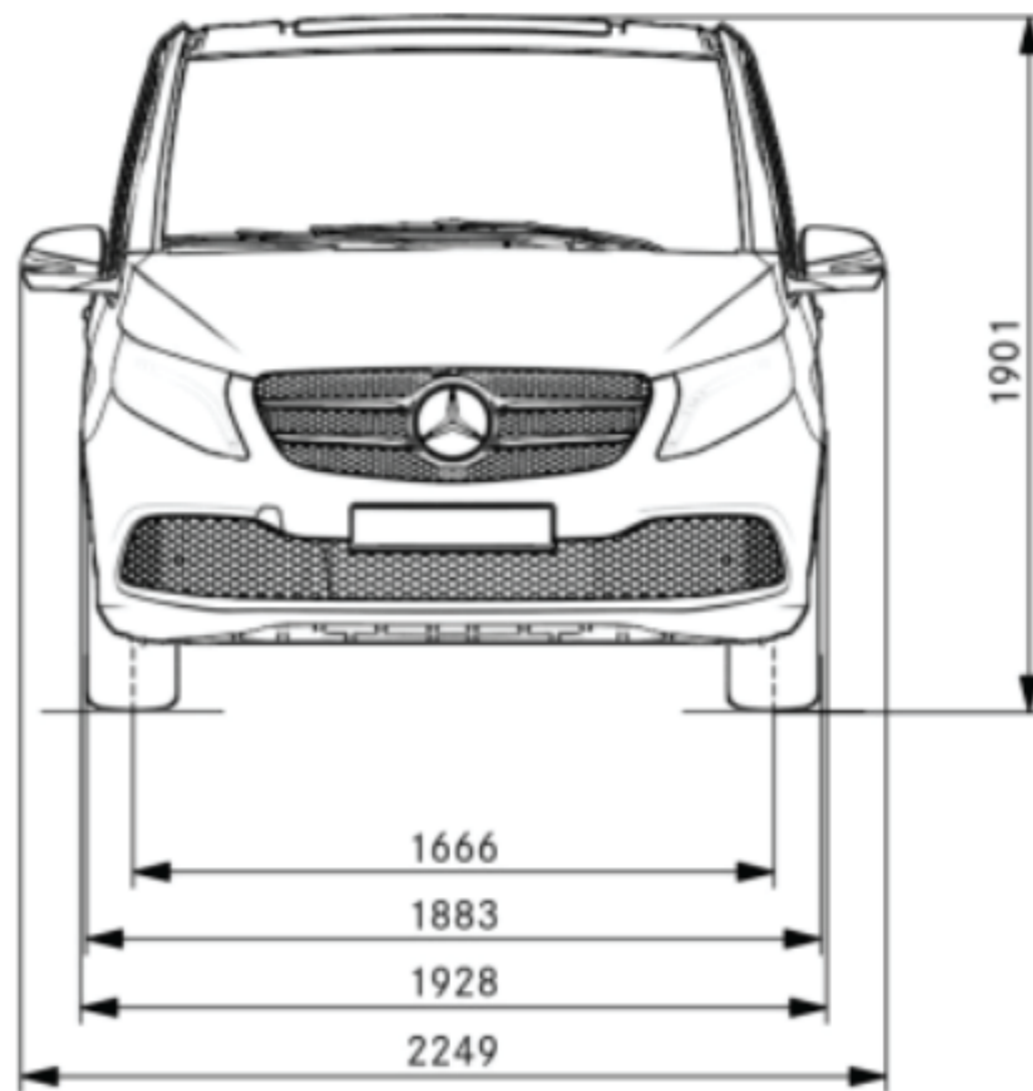
* Only in long wheelbase

**Only in extra long wheelbase

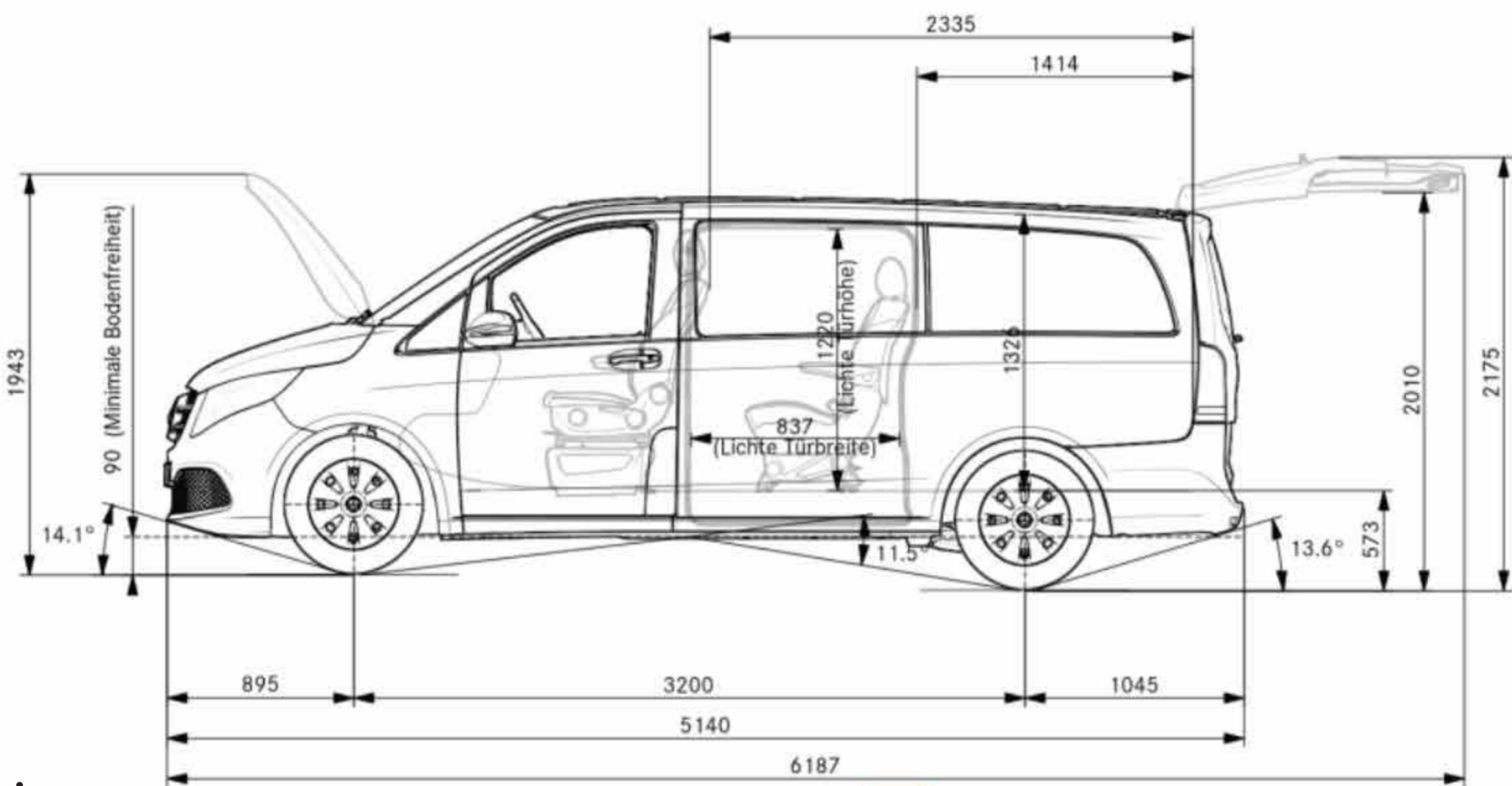
www.mercedes-benz.co.id

Dimension Drawings.

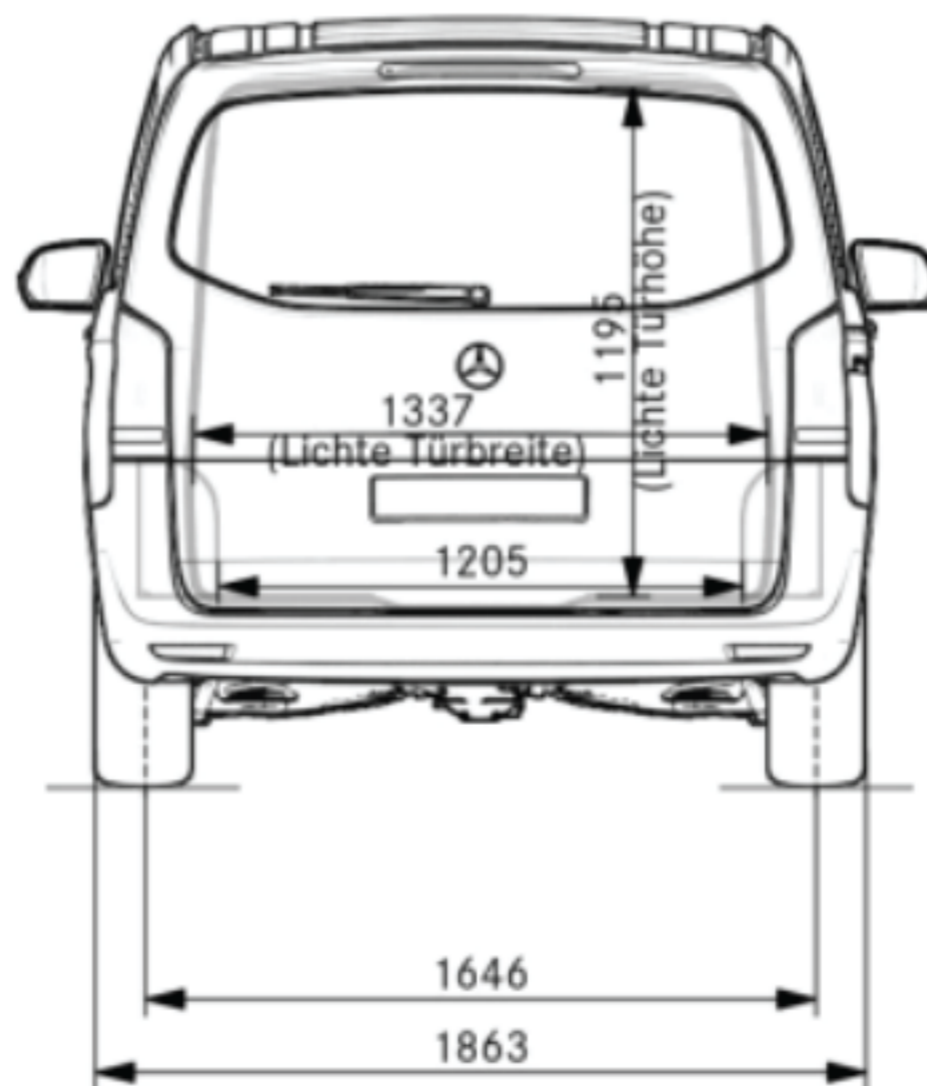
The V 250 Avantgarde Line



Front view



Side view



Back view



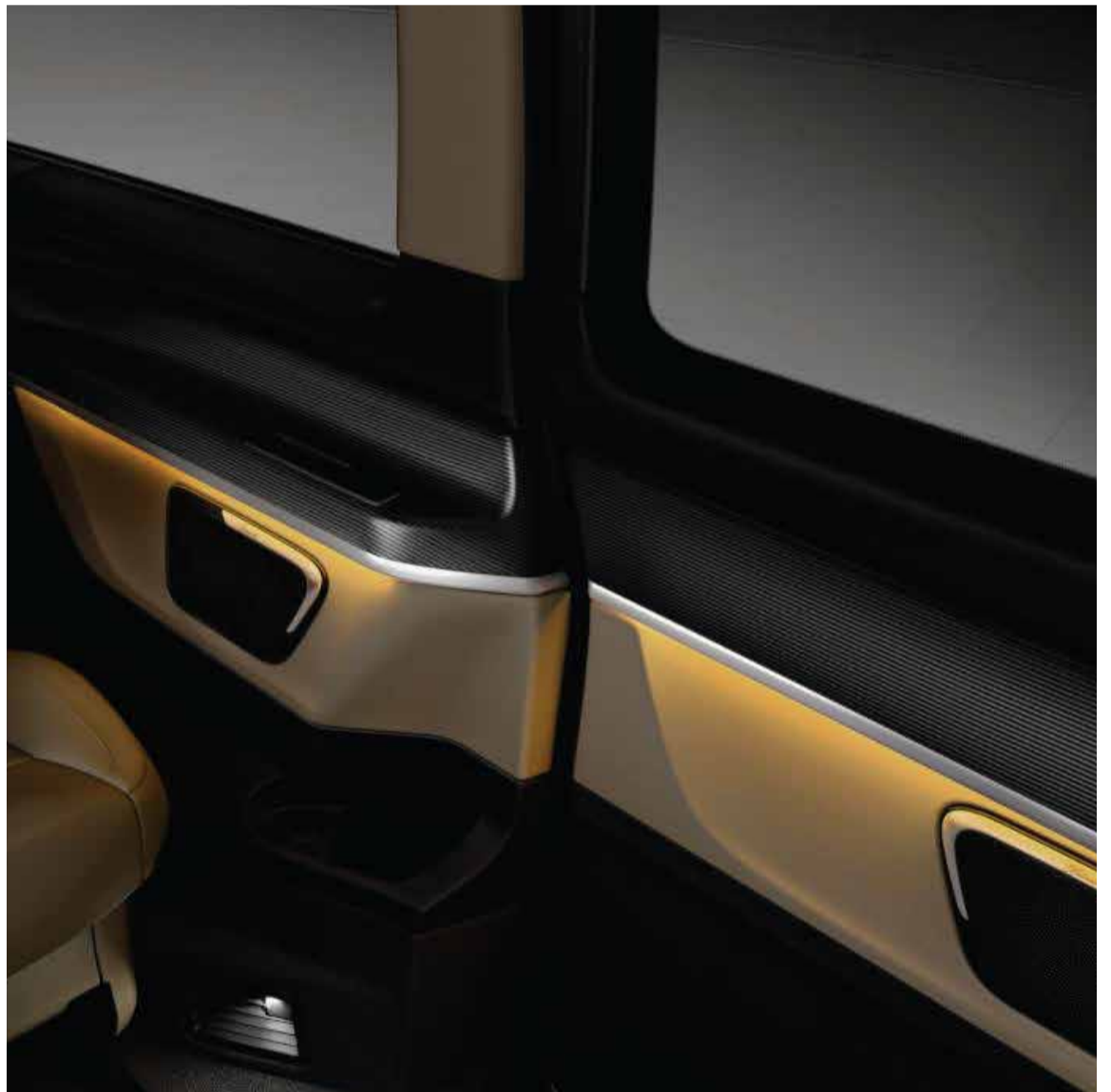
Burmester® surround sound system



Panoramic sliding sunroof*



9G-TRONIC Automatic Transmission



Ambient Lighting



Separately opening rear window



Windowbags for driver, co-driver and rear compartment passenger*

*Only in long wheelbase version

www.mercedes-benz.co.id

5-year StarService.

Integrated service. Unlimited mileage.

For more pleasurable driving experience, your Mercedes-Benz comes with a 5-year StarService with its comprehensive service coverage as a standard.

The StarService means free service maintenance for the first 5 years and manufacturer warranty for the first 3 years without mileage limitations, from the first day your Mercedes-Benz registered (Date of New Vehicle Delivery Certificate).

Thus, you can always continue your journey without delay and the rest becomes our task to serve you.

The StarService entitles you below benefits with certain conditions:

- Free periodic service and maintenance (engine oil, filters, etc. including labor cost) of your Mercedes-Benz for the first 5 years, following vehicle's service manual
- Carefree driving and there are no unpredictable service costs
- Manufacturer warranty for the first 3 years
- High and uniform service quality from authorized Mercedes-Benz Service Centers. Your car will be kept in excellent conditions because the authorized Mercedes-Benz Service Centers carry out regular service and maintenance with original Mercedes-Benz genuine parts, by specially trained and certified technicians.

Visit our authorized Mercedes-Benz Service Centers at any time convenient for you. Our highly trained and dedicated team, complete tools, and sophisticated diagnostic equipment are ready to serve you and your Mercedes-Benz.

Get the latest Mercedes-Benz brochures:

www.mercedes-benz.co.id/ebrochure

5-year StarService.

Integrated service. Unlimited mileage.

Mercedes-Benz Anda dilengkapi dengan StarService 5 tahun yang mencakup layanan komprehensif untuk pengalaman berkendara yang lebih menyenangkan.

StarService berarti layanan pemeliharaan kendaraan gratis selama 5 tahun dan garansi resmi Mercedes-Benz selama 3 tahun tanpa batasan jarak tempuh, dimulai sejak hari pertama kendaraan Mercedes-Benz Anda terdaftar (tanggal Bukti Penyerahan Kendaraan Baru).

Dengan demikian, Anda dapat selalu melanjutkan perjalanan tanpa kendala dan sisanya menjadi tugas kami untuk melayani Anda.

StarService memberi Anda manfaat di bawah ini:

- Servis dan perawatan berkala gratis (oli mesin, filter, dll. Termasuk biaya jasa pengerjaan) Mercedes-Benz Anda selama 5 tahun pertama, mengikuti manual servis kendaraan
- Mengemudi tanpa rasa khawatir akan biaya servis yang tidak terduga
- Garansi resmi Mercedes-Benz selama 3 tahun
- Mobil Anda akan dijaga dalam kondisi prima karena pusat layanan resmi Mercedes-Benz melakukan perawatan rutin menggunakan suku cadang asli Mercedes-Benz, serta dilakukan oleh teknisi yang terlatih dan tersertifikasi

Kunjungi pusat layanan resmi Mercedes-Benz kapan pun yang Anda mau. Tim kami yang sangat terlatih dan berdedikasi, didukung oleh peralatan lengkap dan canggih siap melayani Anda dan Mercedes-Benz Anda.

Klik tombol biru untuk mendapatkan e-brosur terbaru Mercedes-Benz:
www.mercedes-benz.co.id/ebrochure

2-year StarTire.

Peace of mind at every turn.

When it comes to your safety on the road, we want to ensure it in the best way.

That's why we equipped your Mercedes with Mercedes Original (MO) tires which developed with up to 1.000 additional engineering hours per Mercedes-Benz tire guarantee fulfillment of the highest development requirements.

To increase your peace of mind, we developed StarTire, our comprehensive tire coverage program to protect you from any unexpected cost and comes along with your new vehicle as a standard

The StarTire entitles you below benefits with certain conditions:

- Covers replacement of damaged tire(s) due road hazard such as puncture, bulging, cut burst and torn for the first 24 months
- Attached to the car, and transferable to the next owner
- High and uniform service quality from authorized Mercedes-Benz service centers

Our authorized service centers will be ready to assist you should any unexpected event occur. For more details, please call 1 5000 50.

2-year StarTire.

Peace of mind at every turn.

Dalam hal keselamatan Anda di jalan, kami ingin memastikannya dengan cara terbaik.

Itulah sebabnya kami melengkapi Mercedes Anda dengan ban Mercedes Original (MO) yang dibuat dengan tambahan hingga 1.000 jam pengembangan untuk setiap ban Mercedes-Benz demi menjamin pemenuhan standar tertinggi.

Untuk meningkatkan ketenangan pikiran Anda, kami mengembangkan StarTire, program perlindungan ban kami yang komprehensif untuk melindungi Anda dari biaya tak terduga dan datang bersama dengan kendaraan baru Anda sebagai standar.

StarTire memberi Anda manfaat di bawah ini:

- Menanggung penggantian dari ban yang rusak karena bocor, mengembung, pecah, dan sobek untuk 24 bulan pertama
- Terikat pada kendaraan dan dapat dipindahtangankan ke pemilik berikutnya
- Kualitas servis yang tinggi dan seragam dari pusat layanan resmi Mercedes-Benz

Pusat layanan resmi kami akan siap membantu Anda jika terjadi peristiwa tak terduga. Untuk informasi lebih jelas, silakan hubungi 1 5000 50.

www.mercedes-benz.co.id



facebook.com/MercedesBenzID



instagram.com/MercedesBenzID



youtube.com/MercedesBenzID

Customer Care and 24-Hour Roadside Assistance: 1 5000 50

IMPORTANT NOTE!

The manufacturer reserves the right to change product configurations without prior notice. Please note that changes to the products may have been made since this brochure went to press on (04.22).

Pictures on this brochure may differ from the look of products in Indonesian market. For further information please consult your Authorized Mercedes-Benz dealer.